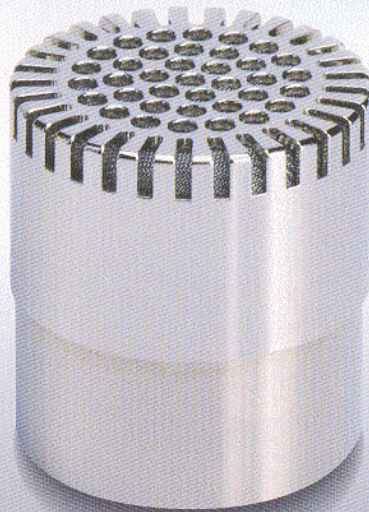


ONO SOKKI

# Measurement Microphone

## MI-1631

Random Response Microphone Capsule

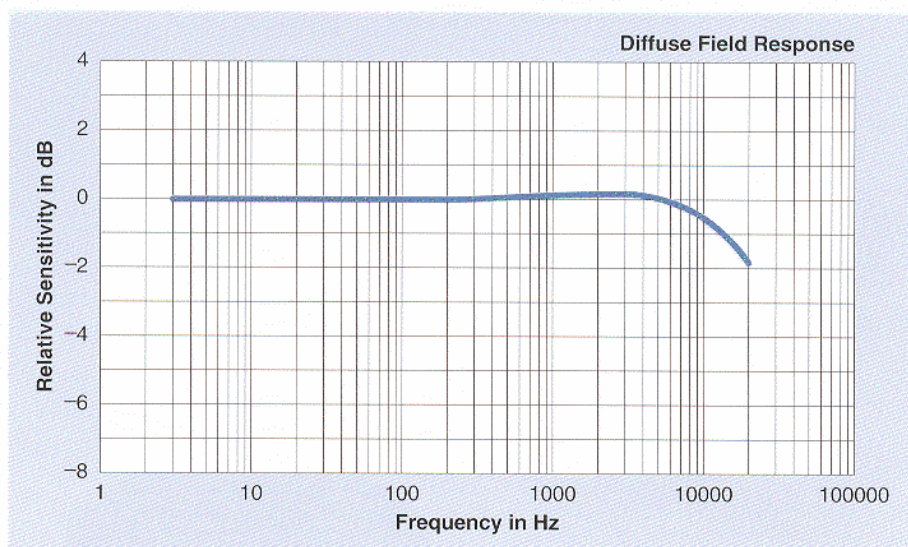


**ANSI APPLICABLE**

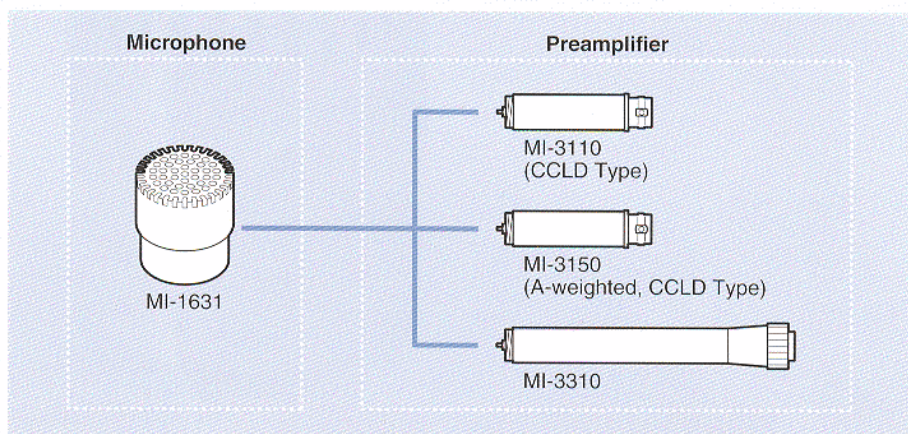
# Specifications

Frequency range	20Hz to 20kHz
Response type	Random
Electrode forming voltage	0V
Sensitivity	-36±3dBV / Pa
Capacitance	11.8±0.5pF
Maximum sound pressure level	145dB
Intrinsic noise level	20dB (A) max.
Operating temperature range	-10 to +50°C
Operating humidity range	30 to 90% RH (with no condensation)
Temperature characteristics	0.01dB / °C max.
Humidity characteristics	0.005dB / % RH
Aging drift	0.2dB / year max.
Storage temperature range	-20 to +60°C
Storage humidity range	10 to 90% RH (with no condensation)
Outer dimensions	13.2mm dia. × 12.9mm
Weight	5g

# Diffuse Field Response



# Connection Diagram



# ONO SOKKI

## U.S.A. & CANADA

Ono Sokki Technology Inc.  
2171 Executive Drive, Suite 400  
Addison, IL. 60101  
U.S.A.  
Phone : 630-627-9700  
Fax : 630-627-0004

## EUROPE

Ono Sokki Mess-und  
Kontrollsysteme GmbH  
Im Vogelsang 1, D-71101 Schoenaich  
Germany  
Phone : 07031-630203  
Fax : 07031-654249

\*Outer appearance and specifications are subject to change without prior notice.

HOME PAGE: <http://www.onosokki.co.jp/English/english.htm>

## P.R.CHINA

Ono Sokki Beijing Office  
Beijing Jing Guang Center 3510  
Hu Jia Lou, Chao Yang Qu  
Beijing P.R.C. 100020  
Phone : 010-6597-3113  
Fax : 010-6597-3114

## WORLDWIDE

Ono Sokki Co., Ltd.  
1-16-1 Hakusan, Midori-ku,  
Yokohama 226-8507, Japan  
Phone : 045-935-3976  
Fax : 045-930-1906  
E-mail : [overseas@onosokki.co.jp](mailto:overseas@onosokki.co.jp)