

DG-4140

Digital Gauge Comparator

NG

OK



(Linear gauges in the picture are sold separately.)

- OK (Green) or NG (Red) back light of LCD are lit up in compliance with the measurement result against comparator setting value.
- Standard function of peak hold, offset, and multiplier setting (x 0.001 to 9.999).
- Signal output of comparator and BCD is provided as standard.
- Applicable for high response speed signal of linear gauge sensor. (Signal input: DC to 30 kHz)
- Comparator setting (upper or lower) and offset value can be displayed. (Only one item should be selected to be displayed.)

ONO SOKKI

DG-4140 Digital Gauge Comparator

Specifications

Display	LCD, 5-digit for numeric and 1 digit for polarity (-)
Display range	0.000 to ±99.999, 0.00 to ±999.00 (mm)
Signal input	Rectangular, 90° phase difference, DC to 300 kHz
Calculating function	peak hold, offset, multiplying set
External control signal I/O section	peak hold start, peak hold stop, hold, reset, busy, comparator gate
Digital BCD output	BCD data, polarity, decimal point (positive/negative logic, open collector output), error (collector output)
Contact output ¹	semiconductor relay (single make contact), max. contact capacity DC 30V, 0.1A
Comparator setup	5-digit for numeric, 1-digit for polarity
Power supply	100 to 240 VAC, 50/60 Hz
Power consumption	approx 7VA
Operating temperature range	0 to +40°C
Storage temperature range	-10 to +55°C (average year-round humidity: 75% or below) with no condensation
Outer dimensions (mm)	72(W) x 72(H) x 114(D)
Weight	Approx 300g

*1: Resistance load

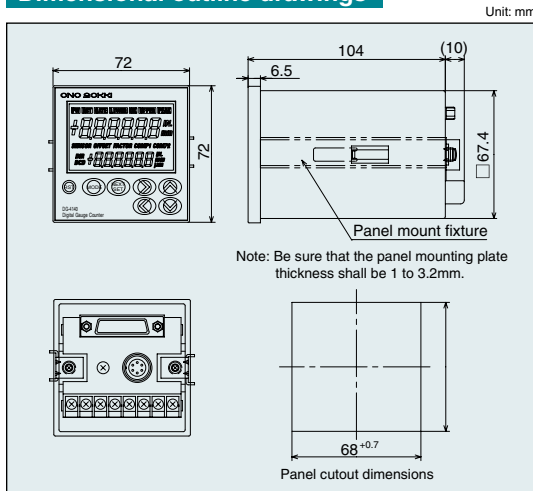
Connector pin arrangement (BCD OUT)

Pin No.	Signal	Pin No.	Signal
1	1 x 10 ⁰	19	4 x 10 ⁴
2	2 x 10 ⁰	20	8 x 10 ⁴
3	4 x 10 ⁰	21	Peak hold start input
4	8 x 10 ⁰	22	Peak hold stop input
5	1 x 10 ¹	23	N.C
6	2 x 10 ¹	24	N.C
7	4 x 10 ¹	25	Polarity output (+)
8	8 x 10 ¹	26	Polarity output (-)
9	1 x 10 ²	27	D.P3 decimal point output
10	2 x 10 ²	28	D.P4 decimal point output
11	4 x 10 ²	29	N.C
12	8 x 10 ²	30	Error output
13	1 x 10 ³	31	Hold input
14	2 x 10 ³	32	Reset input
15	4 x 10 ³	33	BUSY input
16	8 x 10 ³	34	Comparator gate input
17	1 x 10 ⁴	35	Print command output
18	2 x 10 ⁴	36	Common

Pin arrangement

Receptacle : DX10A-36S
Applicable plug : DX40-36P
Die-cast cover : DX36-CV1

Dimensional outline drawings



Option (sold separately)

• Linear gauge sensor

Feature	Compact and light weight type		Compact and light weight type		Compact and light weight type		Ultra small size type		General usage type	General usage type	Long stroke type	Long stroke type
	Dust & splash water proof (Protection class IP64)		Dust & splash water proof (Protection class IP64) Vibration & shock proof		Dust & splash water/oil proof (Protection class IP64G) Vibration & shock proof		Dust & splash water proof (Protection class IP64 for BS-102W/112W) High endurance type					
Resolution	10μm (0.01mm)	1μm (0.001mm)	10μm (0.01mm)	1μm (0.001mm)	10μm (0.01mm)	1μm (0.001mm)	10μm (0.01mm)	1μm (0.01mm)	10μm (0.01mm)	10μm (0.01mm)	10μm (0.01mm)	1μm (0.001mm)
Measurement range	10mm						BS-102/102W	BS-112/112W	GS-102			
	13mm	GS-1513A	GS-1613A	GS-6513	GS-6613	GS-4513	GS-4613					
	25mm								GS-251	GS-251W		
	30mm	GS-1530A	GS-1630A	GS-6530	GS-6630	GS-4530	GS-4630					
	50mm										GS-503	GS-5011
100mm										GS-1000		

• Peripheral equipment

D/A Converter DA-4130

Converting the BCD signal from DG-4140 into analogue voltage /current signal.
Signal cable (Model AA-8101-sold optionally) is required.

Printer RQ-1410

Inputting the BCD signal from DG-4140 for data print.
Signal cable (Model AA-8103-sold optionally) is required.

* Outer appearance and specifications are subject to change without prior notice.

URL: <http://www.onosokki.co.jp/English/english.htm>

ONOSOKKI

U.S.A. & CANADA
Ono Sokki Technology Inc.
2171 Executive Drive, Suite 400
Addison, IL. 60101 U.S.A.
Phone: 630-627-9700
Fax : 630-627-0004
URL : <http://www.onosokki.net>
E-mail : info@onosokki.net

P.R.CHINA
Ono Sokki Beijing Office
Beijing Jing Guang Center 3510
Hu Jia Lou, Chao Yang Qu
Beijing P.R.C. 100020
Phone: 010-6597-3113
Fax : 010-6597-3114
E-mail : onosokki@public.bta.net.ch

WORLDWIDE
Ono Sokki Co., Ltd.
1-16-1 Hakusan, Midori-ku,
Yokohama 226-8507, Japan
Phone: 045-935-3976
Fax : 045-930-1906
E-mail: overseas@onosokki.co.jp