

***New product***



***Digital Linear Gauge***

**GS-1513/1530** (10 $\mu$ m resolution)  
**GS-1613/1630** (1 $\mu$ m resolution)

Introducing compact and lightweight digital linear gauges that are easily installed in current production equipment. With a dust-proof and splash-proof structure that conforms to protection class IP64, the gauges can withstand harsh environments. Suitable for use in dusty environments and areas subject to drips and splashes. Endurance testing shows all models may be used beyond 5 million strokes. We have achieved high accuracy without sacrificing durability.

**ONO SOKKI**

*Optimal for work in production lines*

# Dust and splash resistant

*New standard of linear gauge sensors*

Compact

High accuracy

Low price

More than 5 million strokes

Environment resistance IP64

## Features

- All models are dust and splash resistant conforming to the protection class IP64 of environmental resistance
- Automated measurement is possible by attaching the optional air lifter.
- Compatible with all of our gauge displays
- Can be connected to a sequencer using 2-phase pulse output signal.

## Compatible digital displays

DG-4110 Display only



DG-1250 RS-232C output



DG-4120 BCD output



DG-4240 Comparator output



DG-4280 Comparator output



# Specifications

## ● Mechanical specifications.....

Item	GS-1513	GS-1530	GS-1613	GS-1630
Measurement range (mm)	13	30	13	30
Resolution ( $\mu\text{m}$ )	10	10	1	1
Accuracy ( $\mu\text{m}$ ) (+20°C)	3	3	2	3
Maximum spindle velocity (m/s) $\times 1$	1 (4)	1 (4)	0.3 (1.2)	0.3 (1.2)
Measurement force (N) $\times 2$	1.5	2.0	1.5	2.0
Number of strokes (under the prescribed conditions)	5 million or more			
Protection class	IP64			

$\times 1$  Maximum spindle velocity when using our gauge counter; numerals in parentheses represent the velocity when using the DG-4110.

$\times 2$  Consult us if you would like to modify the measurement force.

## ● Electrical specifications.....

Item	GS-1513	GS-1530	GS-1613	GS-1630
Power supply	4.5-6.0V DC			
Power consumption	50 mA or less (5 V DC)		100 mA or less (5 V DC)	
Signal output	Two phase rectangular wave Phase difference: $90^\circ \pm 20^\circ$ at 5 V DC Output voltage: HI=4.5 to 6.0 V, LO=0.4 V or less			
Output impedance	Approx. 140 $\Omega$		Approx. 470 $\Omega$	Approx. 440 $\Omega$

## ● General specifications.....

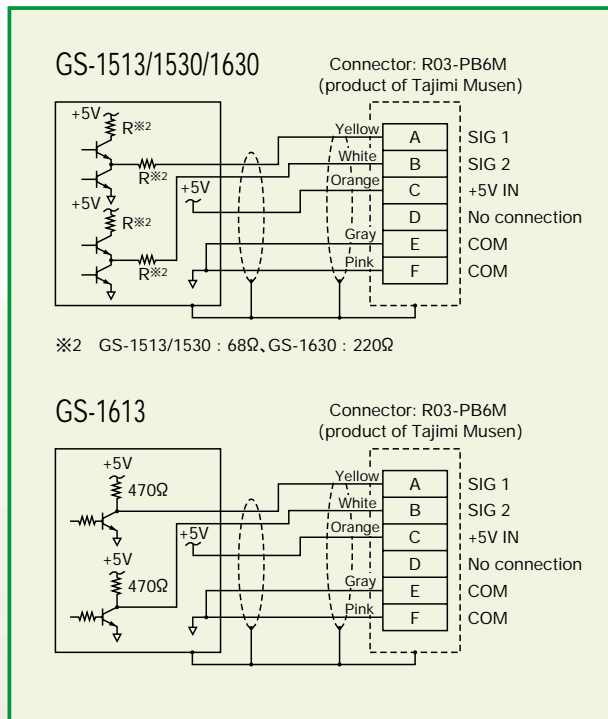
Operating temperature range	0°C to +40°C			
Storage temperature range	-10°C to +55°C (average year-round humidity: 75% or below) $\times$ With no condensation			
Cable length	Approx. 1.9 m			
Cable extension	Up to 30 m (optional)			
Weight	GS-1513/1613: approx. 220 g; GS-1530/1630: approx. 260 g			

## Digital Linear Gauge

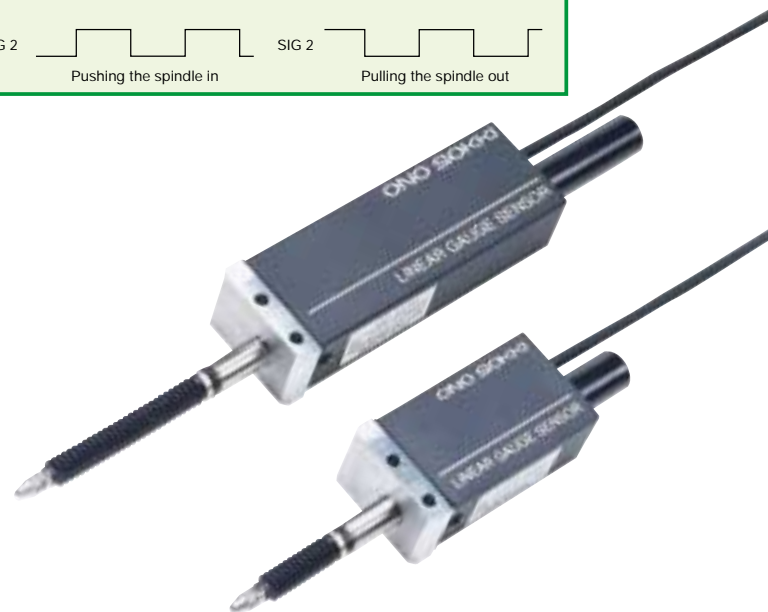
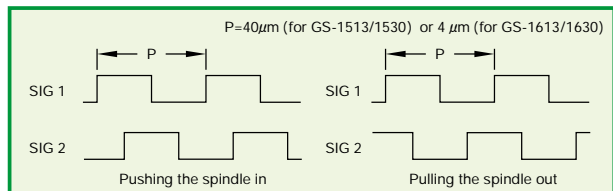
**GS-1513/1530** (10 $\mu\text{m}$  resolution)  
**GS-1613/1630** (1 $\mu\text{m}$  resolution)

## Output specifications

Pin arrangement of output connector and output circuit

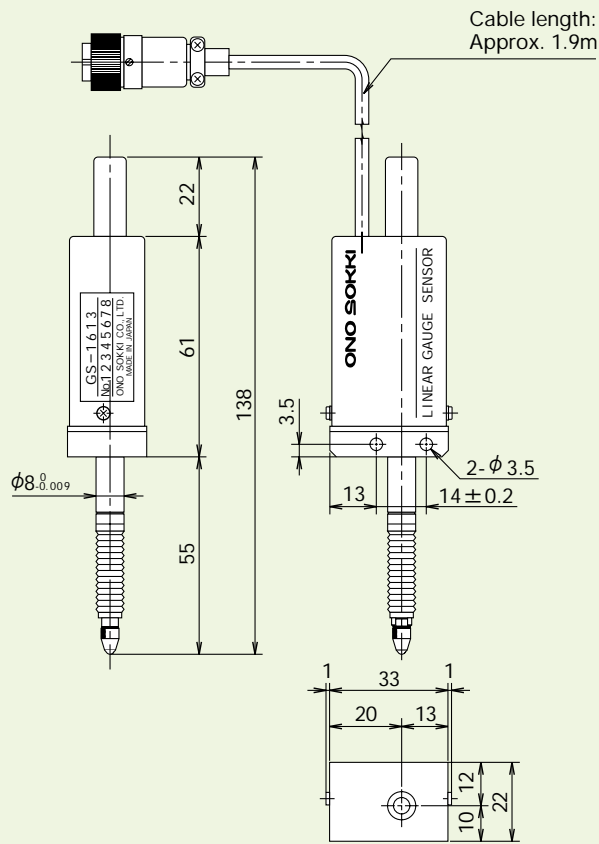


## Output signal

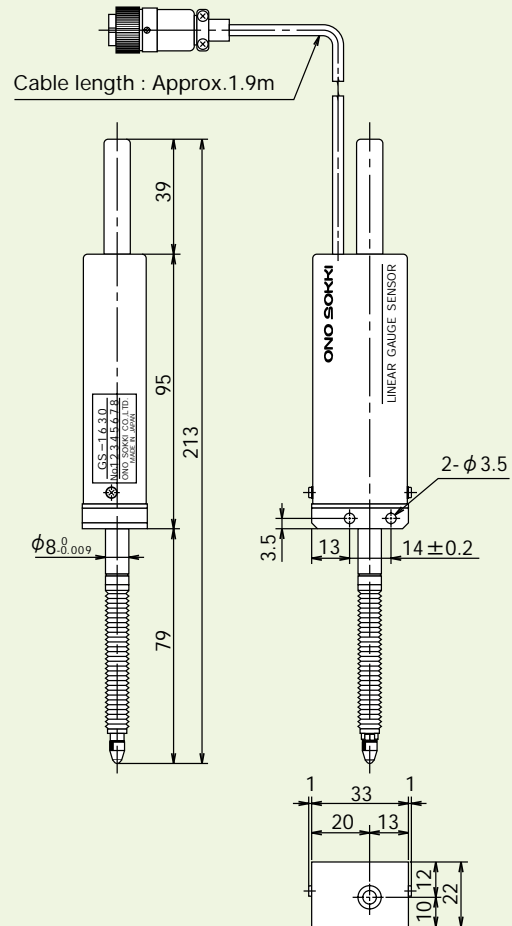


## Outer Dimensions

### GS-1513/1613



### GS-1530/1630



## Options (sold separately)

Air lifter	AA-6100 (13mm), AA-6101 (30mm)
Finger lifter	AA-969
Gauge stand	ST-011/022/044B (Using ST-044B requires AA-891 bushing, sold separately)
Spare dust bellow	AA-4100 (13mm), AA-4101 (30mm)
Contact tips	
Extension cable	AA-801 (5mm), AA-802 (10mm), AA-803 (20mm), AA-804 (30mm)

We also offer several other accessories not listed in this catalogue. Contact Ono Sokki for details.

## ONO SOKKI

HEAD OFFICE: 1-16-1 Hakusan, Midori-ku, Yokohama 226-8507, Japan

**U.S.A. & CANADA**  
Ono Sokki Technology Inc.  
2171 Executive Drive, Suite 400  
Addison, IL. 60101  
U.S.A.  
Phone : 630-627-9700  
Fax : 630-627-0004

**EUROPE**  
Ono Sokki Mess-und  
Kontrollsysteme GmbH  
Im Vogelsang 1, D-71101 Schoenaich  
Germany  
Phone : 07031-630203  
Fax : 07031-654249

**P.R.CHINA**  
Ono Sokki Beijing Office  
Beijing Jing Guang Center 3510  
Hu Jia Lou, Chao Yang Qu  
Beijing P.R.C. 100020  
Phone : 010-6501-5113  
Fax : 010-6501-5114

**WORLDWIDE**  
Ono Sokki Co., Ltd.  
1-27-4 Yaguchi, Ota-ku  
Tokyo 146-8511  
Japan  
Phone : 03-3757-7833  
Fax : 03-5482-7431

※Outer appearance and specifications are subject to change without prior notice.

HOME PAGE: <http://www.onosokki.co.jp/English/english.htm>

e-mail: [overseas@onosokki.co.jp](mailto:overseas@onosokki.co.jp)